



* All images in this datasheet are for illustrative purposes only.

Video Wall 49VL5G-M

Incredible Immersion with Ultra-Narrow Bezel



Ultra-Narrow
Bezel



Wide
Viewing Angle



Easy Color
Adjustment



Efficient
Operation

ACHIEVING INCREDIBLE IMMERSION



Seamless Large Screens with Ultra-Narrow Bezel

The ultra-narrow bezel creates a visually stunning digital wall to effectively deliver dynamic content and immerse the viewers. The large screen it generates is enough to captivate the attention of passersby.



Image Gap Reduction

The VL5G series includes an image improvement algorithm that can reduce image gaps among tiled displays when playing back videos. Objects located on the bezel boundaries are adjusted for a seamless viewing experience.

* "LG Conventional" refers to displays which do not include an image improvement algorithm.

VIVID AND DYNAMIC PICTURE QUALITY



40° High Viewing Angle*

Higher Viewing Angle

Large screens are usually positioned higher than human-eye level, making uniform picture quality essential for video walls. The viewing angle of the VL5G series is high enough to display vivid colors throughout the screen with no distortion.

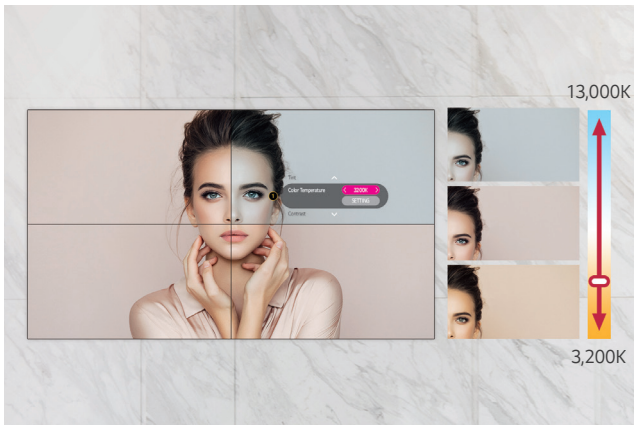
* Results based on in-house testing. Actual test results may differ depending on environment and measuring equipment.



Wide Viewing Angle

It is well known that LG IPS panel technology enables better control of liquid crystals, which in turn allows the screen to be viewed from virtually any angle. Because of this, the VL5G series captures the attention of and captivates more viewers with lifelike colors, regardless of their viewing position.

USER CONVENIENCE



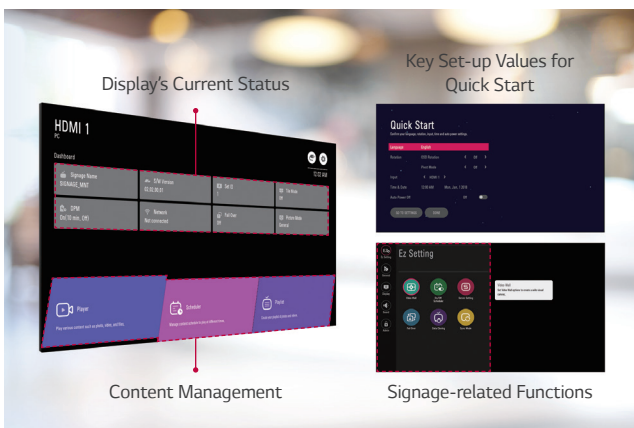
Easy Color Adjustment

Depending on the content, the color temperature of the display can be easily adjusted in increments of 100K using a remote control.



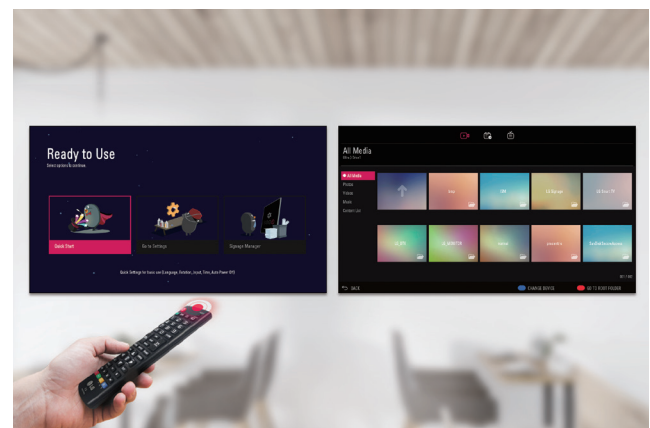
White Balance Adjustment

In conventional video walls, white balance was adjustable only in "full-white" mode, but the VL5G series allows you to modify each value of grey scale to achieve more detailed and precise white balance adjustment.



User-Friendly Menu Structure

The menu structure has been optimized for commercial use. It simplifies approach flows and groups similar functions together, adopting a more intuitive GUI for ease of use. This way, users can avoid having to do trial-and-error when exploring desired functions and managing displays.



Intuitive User Interface

The user Interface is carefully designed with a four-way navigation remote control that lets users easily switch to other settings. Also, it adopts a large font for excellent visibility, which is necessary when users want to control displays from relatively far distances.

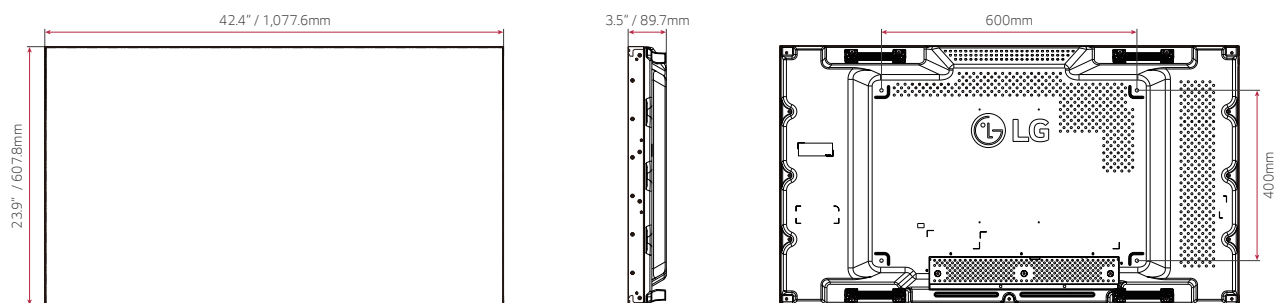
PRODUCT INFORMATION



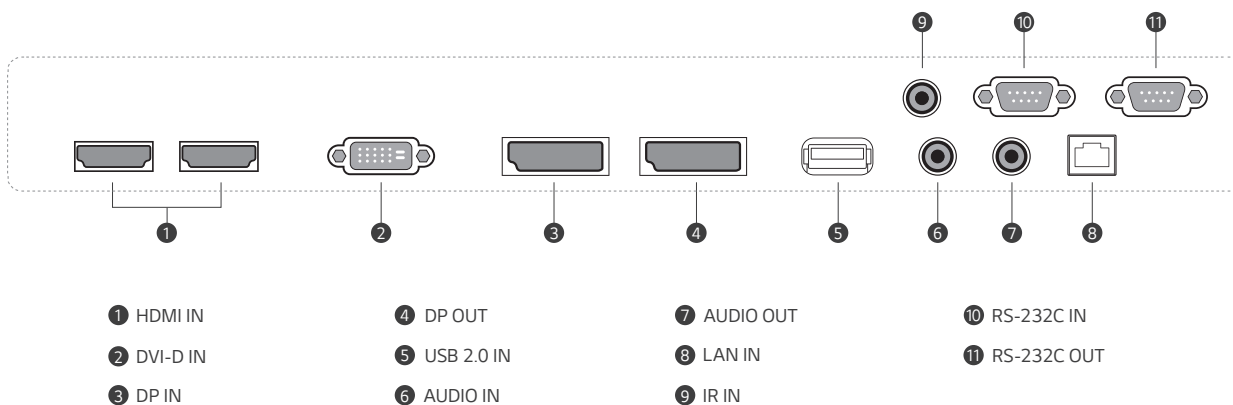
49VL5G-M

Screen Size	49"
Aspect Ratio	16 : 9
Native Resolution	FHD (1,920 × 1,080)
Brightness	500 nits
Contrast Ratio	1,000 : 1

DIMENSIONS



CONNECTIVITY



* Dimensions & Jack Panels may differ from the above image, so please contact LG sales team to verify before ordering.



SPECIFICATIONS

	MODEL	49VL5G-M
PANEL	Screen Size	49"
	Panel Technology	IPS
	Back Light Type	Direct
	Aspect Ratio	16:9
	Native Resolution	1,920 X 1,080 (FHD)
	Max Input Resolution	1,920 x 1,080 (FHD)
	Refresh Rate	60 Hz
	Brightness	500 nits
	Contrast Ratio	1,000:1
	Dynamic CR	500,000:1
	Color gamut	NTSC 72%
	Viewing Angle (H x V)	178° X 178°
	Color Depth	10 bits, 1.07Billion colors
	Response Time (G to G)	8 ms
	Surface Treatment (Haze)	3%
	Lifetime (Typ.)	Up to 60,000 Hrs
	CONNECTIVITY	Operation (Hours/Day)
Portrait / Landscape		Yes / Yes
Built-in Speaker		No
HDMI		Yes (2), HDCP1.4
DP		Yes (1), HDCP1.3
DVI-D		Yes (1), HDCP1.4
Audio In		Yes
RS-232C IN		Yes
RJ45 (LAN)		Yes
IR IN		Yes
USB 2.0 Type A		Yes
DisplayPort Out		Yes, Input: HDMI(HDCP X) / DVI(HDCP X) / DP(HDCP O)
Audio Out		Yes
RS-232C OUT	Yes	
MECHANICAL	Bezel Color	Black
	Bezel Width (T/R/L/B)	2.25 / 1.25 / 2.25 / 1.25 mm
	Weight	37.3 lbs / 16.9 kg
	Shipping Weight	64.6 lbs / 29.3 kg
	Dimensions (W x H x D)	42.4 x 23.9 x 3.5 in / 1077.6 x 607.8 x 89.7mm
	Shipping Dimensions (W x H x D)	47.8 x 30.6 x 10.4 in / 1214 x 778 x 263 mm
	Handle	Yes
	VESATM Standard Mount Interface	600 x 400
	Temperature Sensor	Yes
	Local Contents Scheduling	Yes
	USB Plug & Play	Yes
	Fail over	Yes
	Booting Logo Image	Yes
	No Signal Image	Yes
	RS-232C Sync	Yes
	Screen Rotation	Yes
	Tile Mode Setting	Yes (Max. 15x15)
	Setting Data Cloning	Yes
	SNMP	Yes
	ISM Method	Yes
	Auto Set ID	Yes
	Crestron Inside	Yes
	Smart Energy Saving	Yes
	PM mode	Yes
	Wake on LAN	Yes
	HDMI-CEC	Yes
	SI Server Setting	Yes
W/B Setting by Grey scale	Yes	
Scan Inversion	Yes	
ENVIRONMENT & POWER	Operation Temperature	32°F to 104°F / 0°C to 40°C
	Operation Humidity	10 % to 80 %
	Power Supply	100-240 Vac, 50/60Hz
	Power Type	Built-In Power
	Power Consumption (Typ)	100W, 341 BTU/Hr
	Power Consumption (Max)	120W, 409 BTU/Hr
	Smart Energy Saving	60 W
	DPM	0.5 W
	Power off	0.5 W
LG SOFTWARE COMPATIBILITY	SuperSign CMS	Yes
	SuperSign Control / Control+	Yes / Yes
	SuperSign WB	Yes
	SuperSign Media Editor	Yes
WARRANTY & OTHER	Warranty	3 Year Limited
	FCC (Regulatory)	Class "A"
	CE (Regulatory)	Yes
	Energy Star (Environmental)	Energy Star 8.0
	ErP (Environmental)	Yes
	Basic Accessories	Remote Control (x2 batteries), Power Cord, RS-232C cable, DP cable, IR Receiver, Guide Bracket, Screws, Manual
Optional Accessories	Landscape Wall Mount: WM-L640V / Portrait Wall Mount: WM-P640V	